

EXPERT P25F 10" (250mm) SUBWOOFER



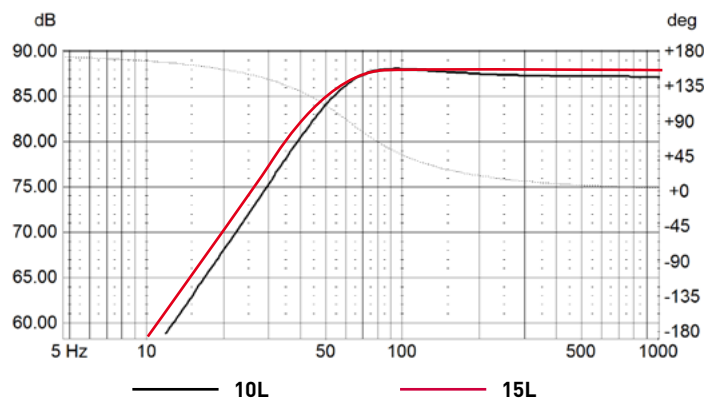
- FLAX® Cone
- Sealed and ported enclosure
- Small compact volume

SPECIFICATIONS

Nominal power	300W RMS	
Maximum power	600W	
Sensitivity (2.83V/1m)	85dB	
Cone	Flax	
Surround	Rubber	
Nom. impedance	4 Ohms	
DC resistance	3.7 Ohms	
VC diameter	50mm	2"
VC height	35mm	1 ³ / ₈ "
Former	Glass Fiber	
Layers	4	
Wire	Copper	
Inductance	2.7 mH	
Xmax	14mm	0 ⁹ / ₁₆ "
Magnet dxh (mm)	145 x 40mm	5 ¹¹ / ₁₆ " x 1 ⁹ / ₁₆ "
Flux density	0.75T	
Gap height	8mm	0 ⁵ / ₁₆ "
Net weight	5400g	10.8 lbs

FREQUENCY RESPONSE / IMPEDANCE

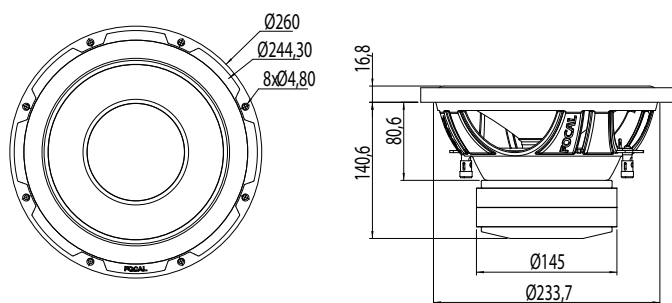
Sealed enclosure



PARAMETERS

Fs	31Hz
Vas	29L
Qts	0.45
Qes	0.51
Qms	4.5
Re	3.7 Ohms
Sd	347cm ²
Cms	0.17 mm/N
Mms	145g
BL	14.8 N/A
SPL	85 dB

MECHANICAL DRAWING



SUGGESTED APPLICATION

Sealed enclosure

Volume	F-3 (Hz)
10L 0.35 cu.ft.	52 Hz
15L 0.52 cu.ft.	50 Hz
20L 0.70 cu.ft.	48 Hz
25L 0.88 cu.ft.	47 Hz

Ported enclosure

Volume	F-3 (Hz)	Ø port	Port length
25L 0.88 cu.ft.	33 Hz	8 cm - 3 ⁵ / ₃₂ "	35 cm - 13 ²⁵ / ₃₂ "
30L 1.05 cu.ft.	30 Hz	8 cm - 3 ⁵ / ₃₂ "	45 cm - 17 ²³ / ₃₂ "
35L 1.23 cu.ft.	27 Hz	8 cm - 3 ⁵ / ₃₂ "	45 cm - 17 ²³ / ₃₂ "

