

UNIVERSAL ISS 170

Woofer

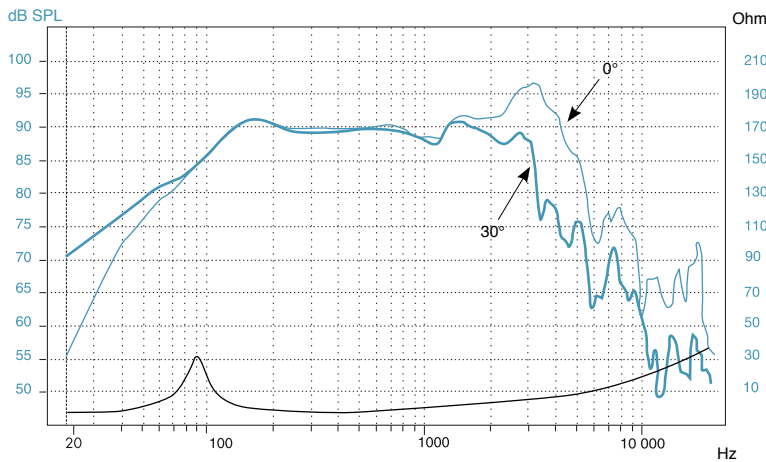


- Polyglass cone
- Reduced height

SPECIFICATIONS

Nominal power	60W	
Maximum power	120W	
Sensitivity (2,83V/1m)	91dB	
Cone	Polyglass	
Surround	Rubber	
Nom. impedance	4 Ohms	
DC resistance	3.28 Ohms	
VC diameter	30.5mm	1 ^{3/16} "
VC height	7.6mm	0 ^{5/16} "
Former	Glass Fiber	
Layers	2	
Wire	Copper	
Inductance	0.17mH	
Xmax	5mm	0 ^{3/16} "
Magnet d x h	80 x 15mm	3 ^{1/8} x 0 ^{9/16} "
Magnet weight	585g	1.17 lb
Flux density	1.1T	
Gap height	4mm	0 ^{3/16} "
Net weight	750g	1.5 lb

FREQUENCY RESPONSE/IMPEDANCE

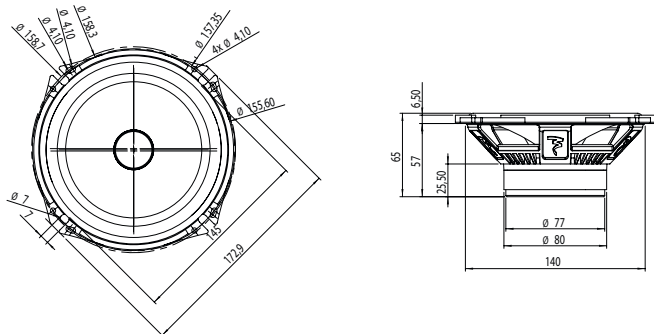


PARAMETERS

Fs	76.97Hz
Vas	8.13 l
Qts	0.68
Qes	0.81
Qms	4.29
Re	3.28 Ohms
Sd	126.68cm ²
Cas	5.79 E-8m ⁵ /N
Mas	73.85kg/m ⁴
Ras	8324.68 Ohms.ac
Cms	3.61E-4 m/N
Mms	11.85g
Rms	1.336kg/s
Ces	510.63mF
Les	8.37mH
Res	17.37 Ohms
BI	4.82N/A
SPL	88.45dB (Re)

MECHANICAL DRAWING

Unit: mm



Integration
INSTANT GRATIFICATION

FOCAL
THE SPIRIT OF SOUND