

# DIRECT FET® AMPLIFIER FD 1.350

Ultra-compact mono amplifier  
Dual 4 Ohms Output – Active crossovers  
2 Ohms stable



- D Class Amplifier – Direct Fet ® Technology – Thermal efficiency and precision
- Low noise operational amplifiers : New Japan Radio ® NJM4580
- Low ESR capacitors - 105°C
- Pseudo symmetrical inputs
- High level inputs through audio transformers

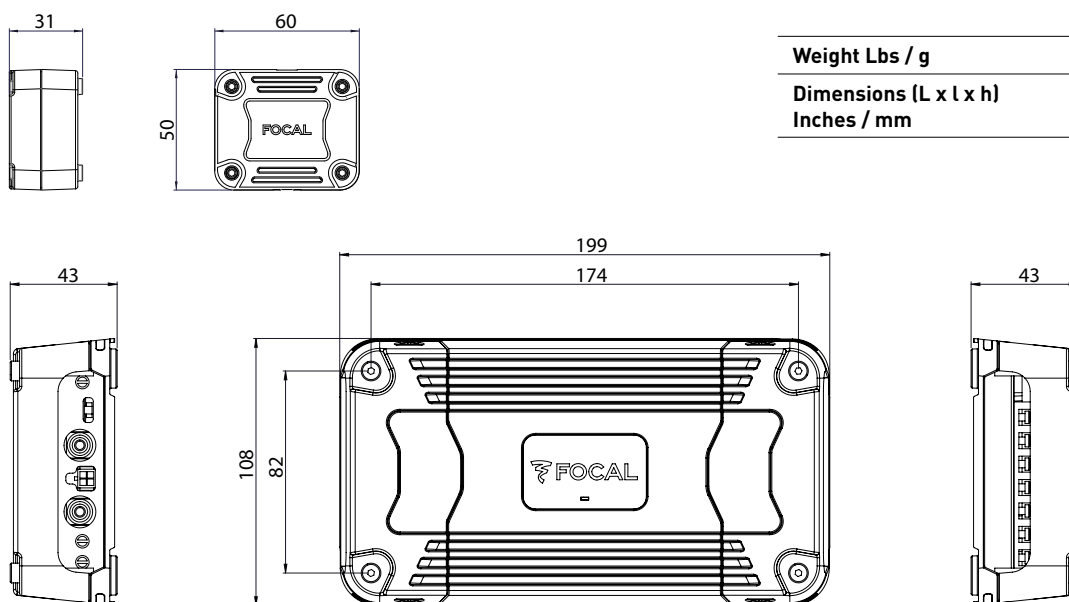
## SPECIFICATIONS



AUDIO SPECIFICATIONS	
CEA Power (4 Ohms)	1x210 Watts RMS
Maximum power (2 Ohms)	1x350 Watts RMS
Minimum Impedance Single output configuration	2 Ohms
Minimum Impedance Dual output configuration	4 Ohms
Bandwidth (-3dB)	10Hz – 400Hz
THD	0,05 %

GENERAL FEATURES	
Low level input sensitivity	0.2V - 5V
High level input sensitivity	0.4V - 10V
Crossover	Low Pass 40Hz - 400Hz
Bass boost	50Hz centered – selective (0dB/6dB/12dB)
Phase adjustment	Linear (0 – 180°)
Standby consumption (ON) / Consumption OFF	0,7A / 0A
Protections	Short-circuit / Low impedance / Polarity reversal / DC / Low tension / Thermal overload
Weight Lbs / g	1.9 / 850
Dimensions (L x l x h) Inches / mm	7 <sup>13/16</sup> x4 <sup>1/4</sup> x1 <sup>11/16</sup> (199x108x43mm)

## MECHANICAL DRAWING



**Performance**  
CREATE YOUR SOUND

**FOCAL**  
THE SPIRIT OF SOUND